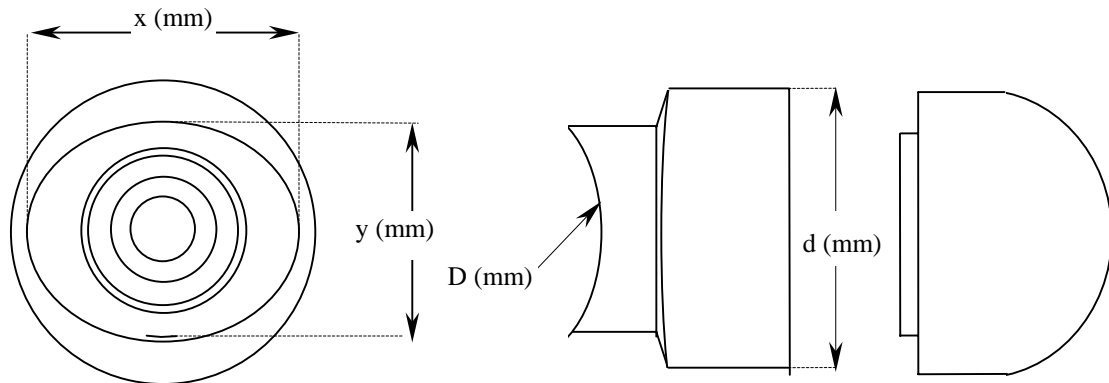
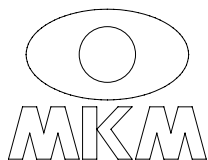


Accessori Accessories



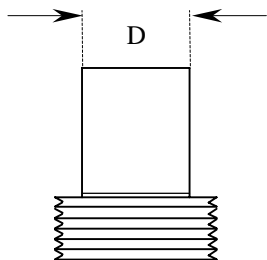
- Bussole rivestite PTFE
- Coated bushes PTFE
- Heizdorne u. buchsen PTFE
- Douilles revetues PTFE

| d | D | x | y | Peso (Kg) | |
|-------|-----|------|----|-----------|--|
| 20 | 32 | 28.6 | 23 | 0.095 | |
| 20 | 40 | 28.6 | 23 | 0.095 | |
| 20 | 50 | 28.6 | 23 | 0.095 | |
| 20 | 63 | 28.6 | 23 | 0.095 | |
| 20 | 75 | 28.6 | 23 | 0.095 | |
| 20 | 90 | 28.6 | 23 | 0.095 | |
| 20 | 110 | 28.6 | 23 | 0.095 | |
| <hr/> | | | | | |
| 25 | 40 | 36 | 29 | 0.165 | |
| 25 | 50 | 36 | 29 | 0.165 | |
| 25 | 63 | 36 | 29 | 0.165 | |
| 25 | 75 | 36 | 29 | 0.165 | |
| 25 | 90 | 36 | 29 | 0.165 | |
| 25 | 110 | 36 | 29 | 0.165 | |
| <hr/> | | | | | |
| 32 | 50 | 44 | 35 | 0.250 | |
| 32 | 63 | 44 | 35 | 0.250 | |
| 32 | 75 | 44 | 35 | 0.250 | |
| 32 | 90 | 44 | 35 | 0.250 | |
| 32 | 110 | 44 | 35 | 0.250 | |
| 32 | 125 | 44 | 35 | 0.250 | |
| 32 | 140 | 44 | 35 | 0.250 | |
| 32 | 160 | 44 | 35 | 0.250 | |
| 32 | 180 | 44 | 35 | 0.250 | |
| 32 | 200 | 44 | 35 | 0.250 | |



Accessori Accessories

| d | D | x | y | Peso (Kg) |
|----------|----------|----------|----------|------------------|
| 40 | 63 | 56.2 | 45 | 0.455 |
| 40 | 75 | 56.2 | 45 | 0.455 |
| 40 | 90 | 56.2 | 45 | 0.455 |
| 40 | 110 | 56.2 | 45 | 0.455 |
| 40 | 125 | 56.2 | 45 | 0.455 |
| 40 | 140 | 56.2 | 45 | 0.455 |
| 40 | 160 | 56.2 | 45 | 0.455 |
| 40 | 180 | 56.2 | 45 | 0.455 |
| 40 | 200 | 56.2 | 45 | 0.455 |
| <hr/> | | | | |
| 50 | 75 | 67.8 | 54 | 0.750 |
| 50 | 90 | 67.8 | 54 | 0.750 |
| 50 | 110 | 67.8 | 54 | 0.750 |
| 50 | 125 | 67.8 | 54 | 0.750 |
| 50 | 140 | 67.8 | 54 | 0.750 |
| 50 | 160 | 67.8 | 54 | 0.750 |
| 50 | 180 | 67.8 | 54 | 0.750 |
| 50 | 200 | 67.8 | 54 | 0.750 |
| <hr/> | | | | |
| 63 | 90 | 81.4 | 64 | 0.830 |
| 63 | 110 | 81.4 | 64 | 0.830 |
| 63 | 125 | 81.4 | 64 | 0.830 |
| 63 | 140 | 81.4 | 64 | 0.830 |
| 63 | 160 | 81.4 | 64 | 0.830 |
| 63 | 180 | 81.4 | 64 | 0.830 |
| 63 | 200 | 81.4 | 64 | 0.830 |
| 63 | 225 | 81.4 | 64 | 0.830 |
| 63 | 250 | 81.4 | 64 | 0.830 |
| 63 | 280 | 81.4 | 64 | 0.830 |
| 63 | 315 | 81.4 | 64 | 0.830 |
| 63 | 355 | 81.4 | 64 | 0.830 |

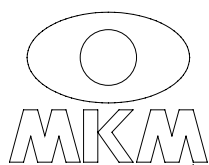


| Spine a centrare in teflon | |
|-----------------------------------|----------|
| Centering pins in PTFE | |
| D | Ø |
| 14 | 20 |
| 17 | 25 |
| 22 | 32 |
| 29 | 40 |
| 35 | 50 |
| 41 | 63 |
| 43 | 75 |

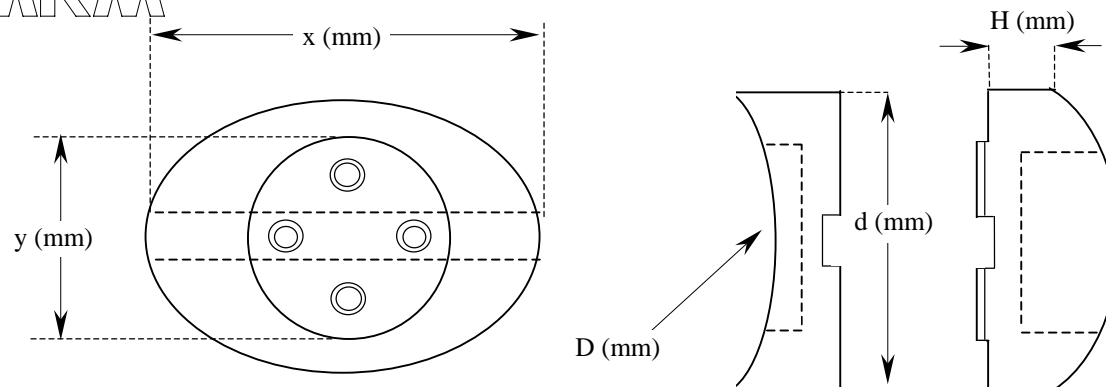
MKM SRL - 17052 - BORGHETTO SANTO SPIRITO (Savona) - ITALIA - Via Patrioti 27r

Tel. (+39 - 0182 - 950450) - Fax (+39 - 0182 - 950476)

Web Site: www.mkmsrl.com - E-mail: info@mkmsrl.com



Accessori Accessories



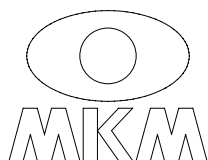
- **Bussole rivestite PTFE**
- **Coated bushes PTFE**
- **Heizdorne u. buchsen PTFE**
- **Douilles revetues PTFE**

| d | D | x | y | Peso (Kg) |
|----|-----|-----|----|-----------|
| 75 | 90 | 96 | 79 | 0.750 |
| 75 | 110 | 96 | 79 | 0.750 |
| 75 | 125 | 96 | 79 | 0.750 |
| 75 | 140 | 96 | 79 | 0.750 |
| 75 | 160 | 96 | 79 | 0.750 |
| 75 | 180 | 96 | 79 | 0.750 |
| 75 | 200 | 96 | 79 | 0.750 |
| 75 | 225 | 96 | 79 | 0.750 |
| 75 | 250 | 96 | 79 | 0.750 |
| 75 | 280 | 96 | 79 | 0.750 |
| 75 | 315 | 96 | 79 | 0.750 |
| 75 | 355 | 96 | 79 | 0.750 |
| 75 | 400 | 96 | 79 | 0.750 |
| 90 | 125 | 115 | 93 | 1.000 |
| 90 | 140 | 115 | 93 | 1.000 |
| 90 | 160 | 115 | 93 | 1.000 |
| 90 | 180 | 115 | 93 | 1.000 |
| 90 | 200 | 115 | 93 | 1.000 |
| 90 | 225 | 115 | 93 | 1.000 |
| 90 | 250 | 115 | 93 | 1.000 |
| 90 | 280 | 115 | 93 | 1.000 |
| 90 | 315 | 115 | 93 | 1.000 |
| 90 | 355 | 115 | 93 | 1.000 |
| 90 | 400 | 115 | 93 | 1.000 |
| 90 | 450 | 115 | 93 | 1.000 |
| 90 | 500 | 115 | 93 | 1.000 |
| 90 | 560 | 115 | 93 | 1.000 |
| 90 | 630 | 115 | 93 | 1.000 |

MKM SRL - 17052 - BORGHETTO SANTO SPIRITO (Savona) - ITALIA - Via Patrioti 27r

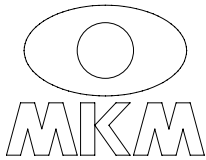
Tel. (+39 - 0182 - 950450) - Fax (+39 - 0182 - 950476)

Web Site: www.mkmsrl.com - E-mail: info@mkmsrl.com

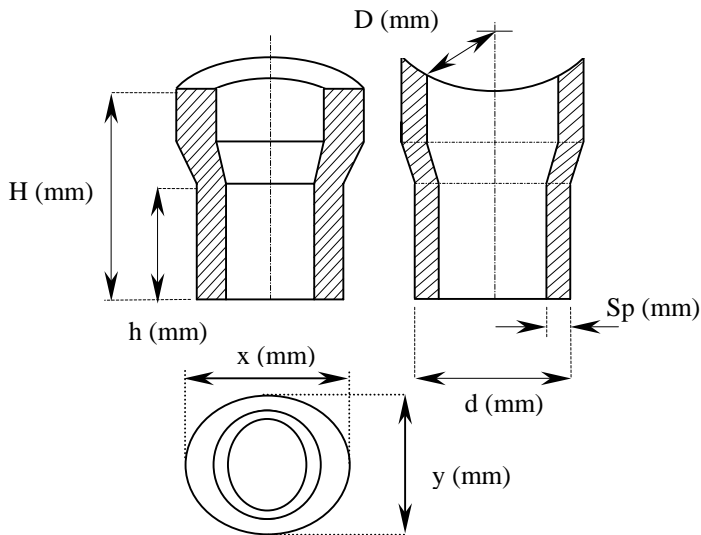


Accessori Accessories

| d | D | x | y | Peso (Kg) | |
|----------|----------|----------|----------|------------------|--|
| 110 | 140 | 140 | 114 | 1.460 | |
| 110 | 160 | 140 | 114 | 1.460 | |
| 110 | 180 | 140 | 114 | 1.460 | |
| 110 | 200 | 140 | 114 | 1.460 | |
| 110 | 225 | 140 | 114 | 1.460 | |
| 110 | 250 | 140 | 114 | 1.460 | |
| 110 | 280 | 140 | 114 | 1.460 | |
| 110 | 315 | 140 | 114 | 1.460 | |
| 110 | 355 | 140 | 114 | 1.460 | |
| 110 | 400 | 140 | 114 | 1.460 | |
| 110 | 450 | 140 | 114 | 1.460 | |
| 110 | 500 | 140 | 114 | 1.460 | |
| 110 | 560 | 140 | 114 | 1.460 | |
| 110 | 630 | 140 | 114 | 1.460 | |
| <hr/> | | | | | |
| 125 | 180 | 160 | 130 | 2.300 | |
| 125 | 200 | 160 | 130 | 2.300 | |
| 125 | 225 | 160 | 130 | 2.300 | |
| 125 | 250 | 160 | 130 | 2.300 | |
| 125 | 280 | 160 | 130 | 2.300 | |
| 125 | 315 | 160 | 130 | 2.300 | |
| 125 | 355 | 160 | 130 | 2.300 | |
| 125 | 400 | 160 | 130 | 2.300 | |
| 125 | 450 | 160 | 130 | 2.300 | |
| 125 | 500 | 160 | 130 | 2.300 | |
| 125 | 560 | 160 | 130 | 2.300 | |
| 125 | 630 | 160 | 130 | 2.300 | |
| <hr/> | | | | | |
| 140 | 200 | 180 | 144 | 3.000 | |
| 140 | 225 | 180 | 144 | 3.000 | |
| 140 | 250 | 180 | 144 | 3.000 | |
| 140 | 280 | 180 | 144 | 3.000 | |
| 140 | 315 | 180 | 144 | 3.000 | |
| 140 | 355 | 180 | 144 | 3.000 | |
| 140 | 400 | 180 | 144 | 3.000 | |
| 140 | 450 | 180 | 144 | 3.000 | |
| 140 | 500 | 180 | 144 | 3.000 | |
| 140 | 560 | 180 | 144 | 3.000 | |
| 140 | 630 | 180 | 144 | 3.000 | |
| <hr/> | | | | | |
| 160 | 200 | 205 | 165 | 3.600 | |
| 160 | 225 | 205 | 165 | 3.600 | |
| 160 | 250 | 205 | 165 | 3.600 | |
| 160 | 280 | 205 | 165 | 3.600 | |
| 160 | 315 | 205 | 165 | 3.600 | |
| 160 | 355 | 205 | 165 | 3.600 | |
| 160 | 400 | 205 | 165 | 3.600 | |
| 160 | 450 | 205 | 165 | 3.600 | |
| 160 | 500 | 205 | 165 | 3.600 | |
| 160 | 560 | 205 | 165 | 3.600 | |
| 160 | 630 | 205 | 165 | 3.600 | |



Raccordi PP/PE PP/PE Fittings



- **Tee Ridotti**

Tubi saldati con raccordi MKM per fusione di testa

- **Reducing Tees**

Fabricated from MKM derivation fittings for butt welding

- **T-Stücke Reduziert**

geschweißt aus rohren und MKM fitting für Stumpfschweiß

- **Tés Reduits**

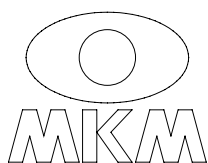
Tubes soudés et raccords MKM pour polyfusion bout à bout

| d | D | x | y | H | h | Sp | Peso (Kg) | | |
|----|-----|------|----|----|----|-----|-----------|--|--|
| 20 | 32 | 28,6 | 23 | 60 | 34 | 2.8 | 0,010 | | |
| 20 | 40 | 28,6 | 23 | 60 | 34 | 2.8 | 0,010 | | |
| 20 | 50 | 28,6 | 23 | 60 | 34 | 2.8 | 0,010 | | |
| 20 | 63 | 28,6 | 23 | 60 | 34 | 2.8 | 0,010 | | |
| 20 | 75 | 28,6 | 23 | 60 | 34 | 2.8 | 0,010 | | |
| 20 | 90 | 28,6 | 23 | 60 | 34 | 2.8 | 0,010 | | |
| 20 | 110 | 28,6 | 23 | 60 | 34 | 2.8 | 0,010 | | |
| 25 | 40 | 36 | 29 | 61 | 35 | 3 | 0,018 | | |
| 25 | 50 | 36 | 29 | 61 | 35 | 3 | 0,018 | | |
| 25 | 63 | 36 | 29 | 61 | 35 | 3 | 0,018 | | |
| 25 | 75 | 36 | 29 | 61 | 35 | 3 | 0,018 | | |
| 25 | 90 | 36 | 29 | 61 | 35 | 3 | 0,018 | | |
| 25 | 110 | 36 | 29 | 61 | 35 | 3 | 0,018 | | |
| 25 | 125 | 36 | 29 | 61 | 35 | 3 | 0,018 | | |
| 25 | 140 | 36 | 29 | 61 | 35 | 3 | 0,018 | | |
| 25 | 160 | 36 | 29 | 61 | 35 | 3 | 0,018 | | |
| 25 | 180 | 36 | 29 | 61 | 35 | 3 | 0,018 | | |
| 25 | 200 | 36 | 29 | 61 | 35 | 3 | 0,018 | | |
| 25 | 225 | 36 | 29 | 61 | 35 | 3 | 0,018 | | |
| 25 | 250 | 36 | 29 | 61 | 35 | 3 | 0,018 | | |
| 25 | 280 | 36 | 29 | 61 | 35 | 3 | 0,018 | | |
| 25 | 315 | 36 | 29 | 61 | 35 | 3 | 0,018 | | |
| 32 | 50 | 44 | 35 | 61 | 35 | 4.5 | 0,026 | | |
| 32 | 63 | 44 | 35 | 61 | 35 | 4.5 | 0,026 | | |
| 32 | 75 | 44 | 35 | 61 | 35 | 4.5 | 0,026 | | |

MKM SRL - 17052 - BORGHETTO SANTO SPIRITO (Savona) - ITALIA - Via Patrioti 27r

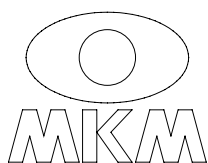
Tel. (+39 - 0182 - 950450) - Fax (+39 - 0182 - 950476)

Web Site: www.mkmsrl.com - E-mail: info@mkmsrl.com



Raccordi PP/PE PP/PE Fittings

| d | D | x | y | H | h | Sp | Peso (Kg) | | |
|----------|----------|----------|----------|----------|----------|-----------|------------------|--|--|
| 32 | 90 | 44 | 35 | 61 | 35 | 4.5 | 0,026 | | |
| 32 | 110 | 44 | 35 | 61 | 35 | 4.5 | 0,026 | | |
| 32 | 125 | 44 | 35 | 61 | 35 | 4.5 | 0,026 | | |
| 32 | 140 | 44 | 35 | 61 | 35 | 4.5 | 0,026 | | |
| 32 | 160 | 44 | 35 | 61 | 35 | 4.5 | 0,026 | | |
| 32 | 180 | 44 | 35 | 61 | 35 | 4.5 | 0,026 | | |
| 32 | 200 | 44 | 35 | 61 | 35 | 4.5 | 0,026 | | |
| <hr/> | | | | | | | | | |
| 40 | 63 | 56.2 | 45 | 61 | 35 | 5.6 | 0.040 | | |
| 40 | 75 | 56.2 | 45 | 61 | 35 | 5.6 | 0.040 | | |
| 40 | 90 | 56.2 | 45 | 61 | 35 | 5.6 | 0.040 | | |
| 40 | 110 | 56.2 | 45 | 61 | 35 | 5.6 | 0.040 | | |
| 40 | 125 | 56.2 | 45 | 61 | 35 | 5.6 | 0.040 | | |
| 40 | 140 | 56.2 | 45 | 61 | 35 | 5.6 | 0.040 | | |
| 40 | 160 | 56.2 | 45 | 61 | 35 | 5.6 | 0.040 | | |
| 40 | 180 | 56.2 | 45 | 61 | 35 | 5.6 | 0.040 | | |
| 40 | 200 | 56.2 | 45 | 61 | 35 | 5.6 | 0.040 | | |
| <hr/> | | | | | | | | | |
| 50 | 75 | 67.8 | 54 | 61 | 35 | 6.9 | 0.068 | | |
| 50 | 90 | 67.8 | 54 | 61 | 35 | 6.9 | 0.068 | | |
| 50 | 110 | 67.8 | 54 | 61 | 35 | 6.9 | 0.068 | | |
| 50 | 125 | 67.8 | 54 | 61 | 35 | 6.9 | 0.068 | | |
| 50 | 140 | 67.8 | 54 | 61 | 35 | 6.9 | 0.068 | | |
| 50 | 160 | 67.8 | 54 | 61 | 35 | 6.9 | 0.068 | | |
| 50 | 180 | 67.8 | 54 | 61 | 35 | 6.9 | 0.068 | | |
| 50 | 200 | 67.8 | 54 | 61 | 35 | 6.9 | 0.068 | | |
| <hr/> | | | | | | | | | |
| 63 | 90 | 81.4 | 64 | 61 | 35 | 8.7 | 0.102 | | |
| 63 | 110 | 81.4 | 64 | 61 | 35 | 8.7 | 0.102 | | |
| 63 | 125 | 81.4 | 64 | 61 | 35 | 8.7 | 0.102 | | |
| 63 | 140 | 81.4 | 64 | 61 | 35 | 8.7 | 0.102 | | |
| 63 | 160 | 81.4 | 64 | 61 | 35 | 8.7 | 0.102 | | |
| 63 | 200 | 81.4 | 64 | 61 | 35 | 8.7 | 0.102 | | |
| 63 | 225 | 81.4 | 64 | 61 | 35 | 8.7 | 0.102 | | |
| 63 | 250 | 81.4 | 64 | 61 | 35 | 8.7 | 0.102 | | |
| 63 | 280 | 81.4 | 64 | 61 | 35 | 8.7 | 0.102 | | |
| 63 | 315 | 81.4 | 64 | 61 | 35 | 8.7 | 0.102 | | |
| 63 | 355 | 81.4 | 64 | 61 | 35 | 8.7 | 0.102 | | |



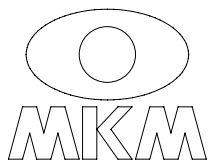
Raccordi PP/PE PP/PE Fittings

| d | D | x | y | H | h | Sp | Peso (Kg) | | |
|-----|-----|------|-----|-----|------|-----|-----------|--|--|
| 75 | 110 | 94.6 | 78 | 105 | 82.6 | 7.9 | 0.194 | | |
| 75 | 125 | 94.6 | 78 | 105 | 82.6 | 7.9 | 0.194 | | |
| 75 | 140 | 94.6 | 78 | 105 | 82.6 | 7.9 | 0.194 | | |
| 75 | 160 | 94.6 | 78 | 105 | 82.6 | 7.9 | 0.194 | | |
| 75 | 180 | 94.6 | 78 | 105 | 82.6 | 7.9 | 0.194 | | |
| 75 | 200 | 94.6 | 78 | 105 | 82.6 | 7.9 | 0.194 | | |
| 75 | 225 | 94.6 | 78 | 105 | 82.6 | 7.9 | 0.194 | | |
| 75 | 250 | 94.6 | 78 | 105 | 82.6 | 7.9 | 0.194 | | |
| 75 | 280 | 94.6 | 78 | 105 | 82.6 | 7.9 | 0.194 | | |
| 75 | 315 | 94.6 | 78 | 105 | 82.6 | 7.9 | 0.194 | | |
| 75 | 355 | 94.6 | 78 | 105 | 82.6 | 7.9 | 0.194 | | |
| 75 | 400 | 94.6 | 78 | 105 | 82.6 | 7.9 | 0.194 | | |
| 90 | 125 | 116 | 91 | 109 | 78 | 9.5 | 0.278 | | |
| 90 | 140 | 116 | 91 | 109 | 78 | 9.5 | 0.278 | | |
| 90 | 160 | 116 | 91 | 109 | 78 | 9.5 | 0.278 | | |
| 90 | 180 | 116 | 91 | 109 | 78 | 9.5 | 0.278 | | |
| 90 | 200 | 116 | 91 | 109 | 78 | 9.5 | 0.278 | | |
| 90 | 225 | 116 | 91 | 109 | 78 | 9.5 | 0.278 | | |
| 90 | 250 | 116 | 91 | 109 | 78 | 9.5 | 0.278 | | |
| 90 | 280 | 116 | 91 | 109 | 78 | 9.5 | 0.278 | | |
| 90 | 315 | 116 | 91 | 109 | 78 | 9.5 | 0.278 | | |
| 90 | 355 | 116 | 91 | 109 | 78 | 9.5 | 0.278 | | |
| 90 | 400 | 116 | 91 | 109 | 78 | 9.5 | 0.278 | | |
| 90 | 450 | 116 | 91 | 109 | 78 | 9.5 | 0.278 | | |
| 90 | 500 | 116 | 91 | 109 | 78 | 9.5 | 0.278 | | |
| 90 | 560 | 116 | 91 | 109 | 78 | 9.5 | 0.278 | | |
| 90 | 630 | 116 | 91 | 109 | 78 | 9.5 | 0.278 | | |
| 110 | 140 | 140 | 113 | 116 | 78 | 11 | 0.488 | | |
| 110 | 160 | 140 | 113 | 116 | 78 | 11 | 0.488 | | |
| 110 | 160 | 140 | 113 | 116 | 78 | 11 | 0.488 | | |
| 110 | 180 | 140 | 113 | 116 | 78 | 11 | 0.488 | | |
| 110 | 200 | 140 | 113 | 116 | 78 | 11 | 0.488 | | |
| 110 | 225 | 140 | 113 | 116 | 78 | 11 | 0.488 | | |
| 110 | 250 | 140 | 113 | 116 | 78 | 11 | 0.488 | | |
| 110 | 280 | 140 | 113 | 116 | 78 | 11 | 0.488 | | |
| 110 | 315 | 140 | 113 | 116 | 78 | 11 | 0.488 | | |
| 110 | 355 | 140 | 113 | 116 | 78 | 11 | 0.488 | | |
| 110 | 400 | 140 | 113 | 116 | 78 | 11 | 0.488 | | |
| 110 | 450 | 140 | 113 | 116 | 78 | 11 | 0.488 | | |
| 110 | 500 | 140 | 113 | 116 | 78 | 11 | 0.488 | | |
| 110 | 560 | 140 | 113 | 116 | 78 | 11 | 0.488 | | |
| 110 | 630 | 140 | 113 | 116 | 78 | 11 | 0.488 | | |

MKM SRL - 17052 - BORGHETTO SANTO SPIRITO (Savona) - ITALIA - Via Patrioti 27r

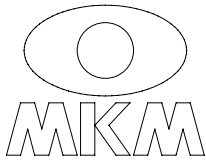
Tel. (+39 - 0182 - 950450) - Fax (+39 - 0182 - 950476)

Web Site: www.mkmsrl.com - E-mail: info@mkmsrl.com

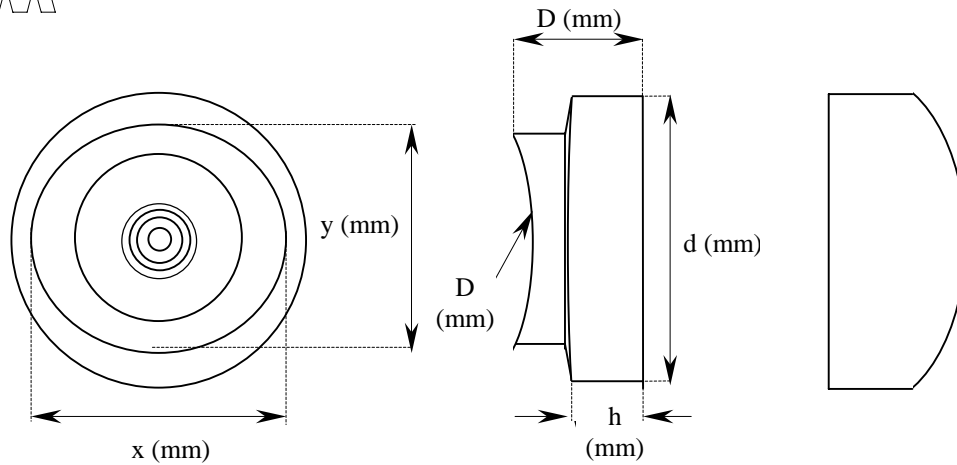


Raccordi PP/PE PP/PE Fittings

| d | D | x | y | H | h | Sp | Peso (Kg) | | |
|-------|-----|-----|-----|-----|-----|------|-----------|--|--|
| 125 | 180 | 155 | 127 | 143 | 100 | 11.6 | 0.720 | | |
| 125 | 200 | 155 | 127 | 143 | 100 | 11.6 | 0.720 | | |
| 125 | 225 | 155 | 127 | 143 | 100 | 11.6 | 0.720 | | |
| 125 | 250 | 155 | 127 | 143 | 100 | 11.6 | 0.720 | | |
| 125 | 280 | 155 | 127 | 143 | 100 | 11.6 | 0.720 | | |
| 125 | 315 | 155 | 127 | 143 | 100 | 11.6 | 0.720 | | |
| 125 | 355 | 155 | 127 | 143 | 100 | 11.6 | 0.720 | | |
| 125 | 400 | 155 | 127 | 143 | 100 | 11.6 | 0.720 | | |
| 125 | 450 | 155 | 127 | 143 | 100 | 11.6 | 0.720 | | |
| 125 | 500 | 155 | 127 | 143 | 100 | 11.6 | 0.720 | | |
| 125 | 560 | 155 | 127 | 143 | 100 | 11.6 | 0.720 | | |
| 125 | 630 | 155 | 127 | 143 | 100 | 11.6 | 0.720 | | |
| <hr/> | | | | | | | | | |
| 140 | 200 | 177 | 139 | 143 | 100 | 13 | 0.890 | | |
| 140 | 225 | 177 | 139 | 143 | 100 | 13 | 0.890 | | |
| 140 | 250 | 177 | 139 | 143 | 100 | 13 | 0.890 | | |
| 140 | 280 | 177 | 139 | 143 | 100 | 13 | 0.890 | | |
| 140 | 315 | 177 | 139 | 143 | 100 | 13 | 0.890 | | |
| 140 | 355 | 177 | 139 | 143 | 100 | 13 | 0.890 | | |
| 140 | 400 | 177 | 139 | 143 | 100 | 13 | 0.890 | | |
| 140 | 450 | 177 | 139 | 143 | 100 | 13 | 0.890 | | |
| 140 | 500 | 177 | 139 | 143 | 100 | 13 | 0.890 | | |
| 140 | 560 | 177 | 139 | 143 | 100 | 13 | 0.890 | | |
| 140 | 630 | 177 | 139 | 143 | 100 | 13 | 0.890 | | |
| <hr/> | | | | | | | | | |
| 160 | 225 | 205 | 168 | 188 | 103 | 15.9 | 1.550 | | |
| 160 | 250 | 205 | 168 | 188 | 103 | 15.9 | 1.550 | | |
| 160 | 280 | 205 | 168 | 188 | 103 | 15.9 | 1.550 | | |
| 160 | 315 | 205 | 168 | 188 | 103 | 15.9 | 1.550 | | |
| 160 | 355 | 205 | 168 | 188 | 103 | 15.9 | 1.550 | | |
| 160 | 400 | 205 | 168 | 188 | 103 | 15.9 | 1.550 | | |
| 160 | 450 | 205 | 168 | 188 | 103 | 15.9 | 1.550 | | |
| 160 | 500 | 205 | 168 | 188 | 103 | 15.9 | 1.550 | | |
| 160 | 560 | 205 | 168 | 188 | 103 | 15.9 | 1.550 | | |
| 160 | 630 | 205 | 168 | 188 | 103 | 15.9 | 1.550 | | |

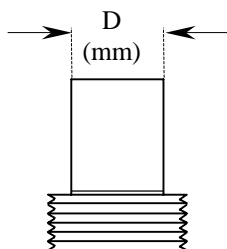


Accessori Accessories



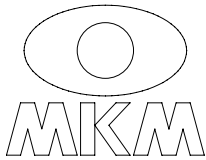
- **Bussole rivestite PTFE** per PN 4 per raccordi scarico
- **Coated bushes PTFE** for PN 4 fittings
- **Heizdorne u. buchsen PTFE** für PN 4 Rohrabzweigungen Herzustellen
- **Douilles revetues PTFE** pour PN 4 raccords

| d | D | x | y | Peso (Kg) |
|----|-----|----|----|-----------|
| 40 | 90 | 56 | 50 | 0.280 |
| 40 | 110 | 56 | 50 | 0.280 |
| 40 | 125 | 56 | 50 | 0.280 |
| 50 | 90 | 56 | 50 | 0.440 |
| 50 | 110 | 56 | 50 | 0.440 |
| 50 | 125 | 56 | 50 | 0.440 |
| 63 | 110 | 56 | 50 | 0.750 |
| 63 | 125 | 56 | 50 | 0.750 |

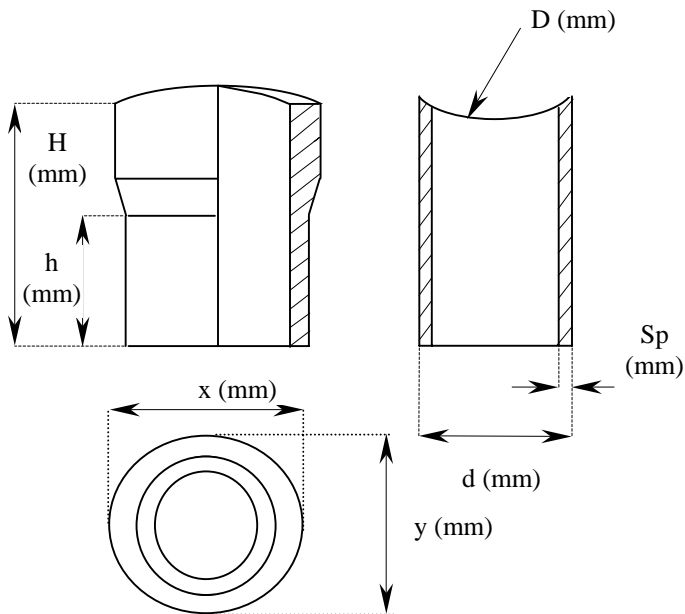


| | |
|-----------------------------------|--|
| Spine a centrare in teflon | |
| Centering pins in PTFE | |
| D | |

17



Raccordi Fittings



- **Tee Ridotti PN 4**

Tubi saldati con raccordi MKM per fusione di testa

- **Reducing Tees PN 4**

Fabricated from MKM derivation fittings for butt welding

- **T-Stücke Reduziert PN 4**

geschweißt aus rohren und MKM fitting für Stumpfschweiß

- **Tés Reduits PN 4**

Tubes soudés et raccords MKM pour polyfusion bout à bout

| d | D | x | y | H | h | Sp | Peso (Kg) |
|----|-----|----|----|----|----|----|-----------|
| 40 | 90 | 46 | 40 | 61 | 35 | 3 | 0.024 |
| 40 | 110 | 46 | 40 | 61 | 35 | 3 | 0.024 |
| 40 | 125 | 46 | 40 | 61 | 35 | 3 | 0.024 |
| 50 | 90 | 56 | 50 | 61 | 35 | 3 | 0.032 |
| 50 | 110 | 56 | 50 | 61 | 35 | 3 | 0.032 |
| 50 | 125 | 56 | 50 | 61 | 35 | 3 | 0.032 |
| 63 | 110 | 69 | 63 | 61 | 35 | 3 | 0.052 |
| 63 | 125 | 69 | 63 | 61 | 35 | 3 | 0.052 |